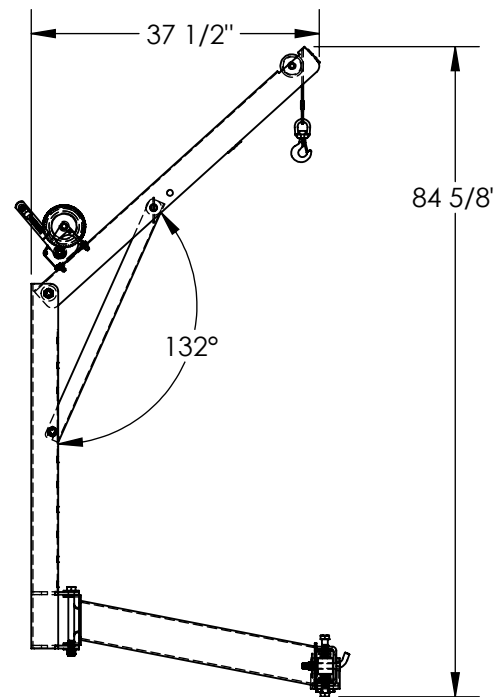
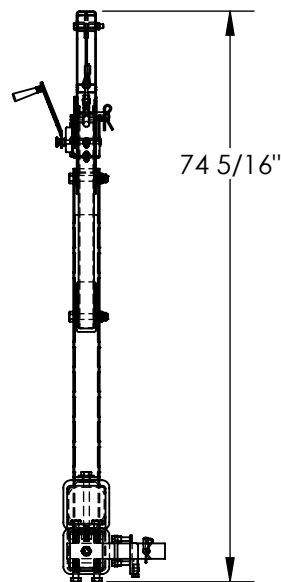
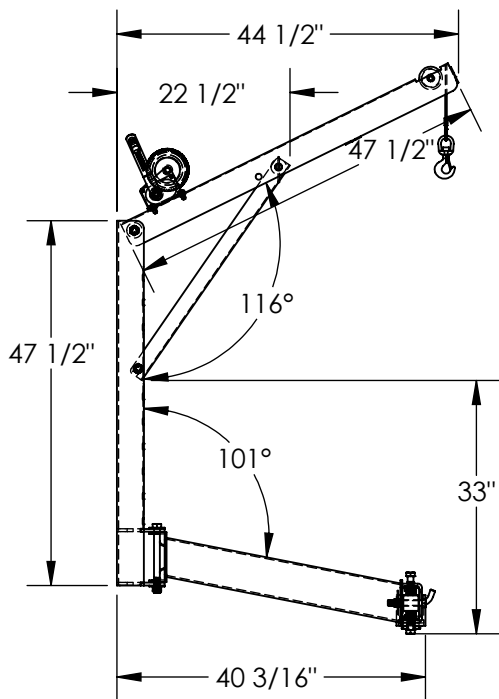


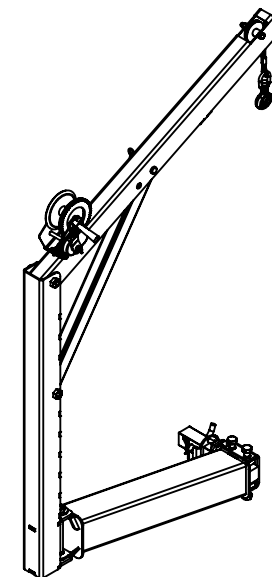
# TRUCK CRANE - WTJ-HITCH

APPROX WEIGHT: 133.16 lbs.  
DOES NOT INCLUDE WEIGHT OF POWER OR PACKAGING!!!

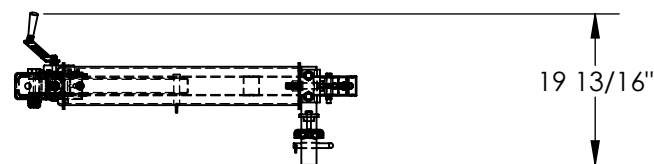
\*\*\* ANY ADDITIONS, DELETIONS, OR OMISSIONS MUST BE CORRECTED ON THIS DRAWING AS THIS DRAWING WILL BE CONSIDERED ALL INCLUSIVE \*\*\*  
ALL GRAPHICS PROVIDED ARE FOR REFERENCE ONLY. IF CERTAIN DIMENSIONS ARE CRITICAL PLEASE VERIFY THOSE DIMENSIONS WITH YOUR SALESPERSON



EXTENDED CLEARANCE POSITION



DIMENSION TOLERANCE ± 1/4"



## STANDARD FEATURES

- MODEL NUMBER IS WTJ-HITCH
- CAPACITY IS 600 LBS
- OVERALL WIDTH IS 19 13/16"
- OVERALL LENGTH IS 44 1/2"
- OVERALL HEIGHT IS 74 5/16"
- MAXIMUM HEIGHT IS 84 5/8"
- EASILY MOUNTS IN STANDARD CLASS III OR HIGHER 2" RECEIVER
- INSTALLATION & USE REQUIRES NO MODIFICATIONS TO TRUCK
- UNIT MAY BE ADJUSTED/LEVELED FOR BEST USE
- MANUAL HAND BRAKE WINCH AND LIFTING HOOK
- EXTENDED CABLE LENGTH IS 25 FT
- CRANE MAY BE INSTALLED ON EITHER SIDE OF TRUCK
- RUGGED WELDED STEEL CONSTRUCTION
- TOUGH BAKED IN POWDER-COATED BLACK FINISH

## SPECIAL FEATURES

NONE

<b>A P P R O V A L</b>	I, THE UNDERSIGNED, AGREE THAT THE PRODUCT AS REPRESENTED SATISFIES DESIGN AND DIMENSION REQUIREMENTS. I ALSO ACKNOWLEDGE MY DUTY TO CONFIRM PRODUCT AND INSTALLATION COMPLIANCE WITH ALL APPLICABLE FEDERAL, STATE AND LOCAL REGULATIONS AND STANDARDS.	
	<b>ANY MODIFIED UNITS ARE NON-RETURNABLE</b>	
	[ ] As drawn      [ ] As marked	
	Signed: _____ Date: _____	
Printed Name: _____		
<b>LEAD TIME WILL START UPON RECEIPT OF SIGNED APPROVAL DRAWING</b>		

FOR INTERNAL USE ONLY PROJECT SIGN OFF	
SALES	
ENG.	
FAB.	
POWER	

DISTRIBUTOR'S NAME:		P.O.#
<b>VESTIL MANUFACTURING</b>		X
DRAWN BY: BCN	DATE: 2/5/2016	W.O.#
REFERENCE: X	SCALE: 1:25	X
QUOTED LEAD TIME: X	QUOTE #	FILE NAME:
	X	28-007-348